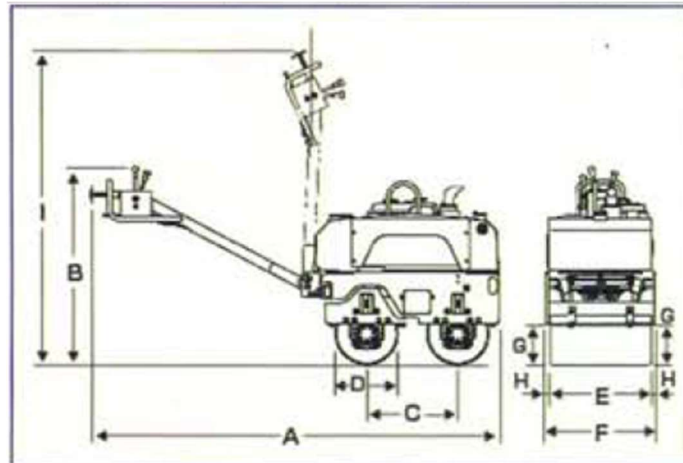


# ROLLER TMR75KDS



<b>BRAND</b>	TACOM
<b>TYPE</b>	walk-behind roller
<b>MODEL</b>	TMR75KDS

WEIGHTS	
Machine weight	715 kg

ENGINE	
Model	Kubota E75ENB3
Type	4 Cycle, Water-Cooled Diesel engine
Max output kW (PS)	4.6 (6.3)
Fuel tank capacity	4.8 L
Starting	Electric
Watering tank capacity	35 L
Hydraulic oil tank capacity	18 L

Dimensions (mm)	
A	2,385
B	1,150
C	560
D	402
E	650
F	700
G	260
H	25
I	1,800

PERFORMANCE	
Traveling speed (km)	Forward / Reverse 0-3.6
Vibration Frequency Hz (vpm)	55 (3,300)
Centrifugal force kN (fonf)	10.8 (1,100)
Climbing ability	20°
Stabilization angle	30°