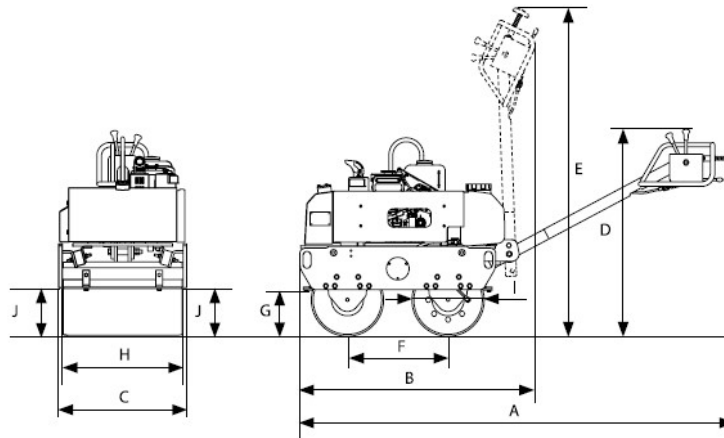


# ROLLER TMR65KDS



<b>BRAND</b>	HITACHI
<b>TYPE</b>	walk-behind roller
<b>MODEL</b>	TMR65KDS

WEIGHTS	
Machine weight	640 kg

ENGINE	
Model	Kubota E75-ENB3
Type	4 stroke
Cooling system	Water cool
Fuel	Diesel
Rated output kW (PS)	4.0 (5.5)
Fuel tank capacity L	4.8
Watering tank capacity L	35
Starting	Electric

Dimensions (mm)	
A	2,385
B	1,295
C	700
D	1,150
E	1,800
F	560
G	246
H	650
I	402
J	260 (R/L)

PERFORMANCE	
Traveling speed (km)	Forward 0-3.6
	Reverse 0-2.5
Vibration Frequency	3,300
Centrifugal force kN (kgf)	10.8
Static line pressure kgf / cm	5.2
Dynamic line pressure kgf / cm	13.6
Gradeability	25°
Lateral Stability angle	30°