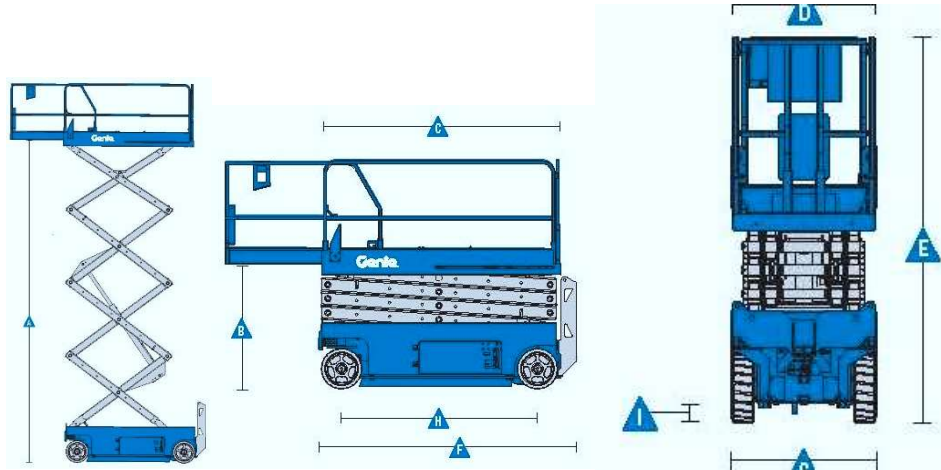


Self-Propelled Scissor Lifts

GS™ -4047



Brand	Genie
Model	GS-4047
Working height maximum	13.89 m
A Platform height maximum	11.89 m
B Platform height - stowed	1.43 m
C Platform length - outside	2.26 m
- extended	3.18 m
D Platform width - outside	1.16 m
E Height - stowed: folding rails	2.54 m
- rails lowered	1.95 m
F Length - stowed	2.48 m
- extended	3.18 m
G Width	1.19 m
H Wheelbase	1.85 m
I Ground clearance – center	0.1 m
- with pothole guards deployed	0.02 m
Slide-out platform extension deck	0.91 m
Guardrail height	1.09 m
Toeboard height	0.15 m

Power	
Power source	24 V DC, 300 Ah (four 12 V, 150 Ah batteries in parallel series)
Hydraulic system capacity	28.4 L

Productivity	
Maximum platform occupancy	2
Lift capacity	249 kg
Lift capacity - extension deck	113 kg
Drive height	full height
Drive speed - stowed	3.2 km/h
Drive speed - raised	0.8 km/h
Gradeability - stowed	25%
Turning radius - inside	Zero
Turning radius - outside	2.31 m
Raise / lower speed	71/41 sec
Controls	proportional
Drive	dual front wheel
Multiple disc brakes	dual rear wheel
Tires - solid non-marking	38 x 13 cm

Weight / Floor Loading	
Weight - ANSI, CSA	3,260 kg
Tire load, maximum	1,189 kg
Tire contact pressure	1,205 kPa
Occupied floor pressure	12.91 kPa