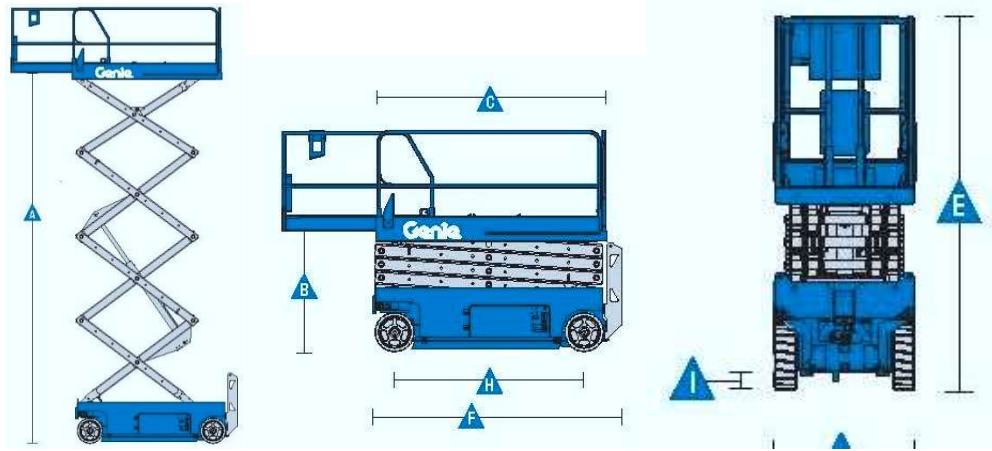


## Self-Propelled Scissor Lifts

### GS™ -2032



Brand	Genie
Model	GS-2032
Working height maximum - indoor	8.13 m
- outdoor	6.88 m
A  Platform height maximum - indoor	6.13 m
- outdoor	4.88 m
B  Platform height stowed	1.05 m
C  Platform length - outside	2.26 m
Extended	3.18 m
Roll-out platform extension deck	0.91 m
D  Platform width - outside	0.81 m
Guardrail height	1.1 m
Toeboard height	15 cm
E  Height-stowed: folding rails	2.16 m
rails folded	1.8 m
F  Length-stowed	2.44 m
Length-stowed extended	3.33 m
G  Width	0.81 m
H  Wheelbase	1.85 m
I  Ground clearance-center	8.9 cm
- with pothole guards deployed	2.2 cm

Power	
Power source	24 V DC (four 6 V 225 Ah batteries)
Hydraulic system capacity	17.0 L

Productivity	
Maximum platform occupancy (in/out)	2/1
Lift capacity	363 kg
Lift capacity - extension deck	113 kg
Drive height	full height
Drive speed - stowed	3.5 km/h
Drive speed - raised	0.8 km/h
Gradeability - stowed	30%
Turning radius - inside	Zero
Turning radius - outside	2.13 m
Raise / lower speed	28 / 24 sec
Tilt sensor activation - front to back	3°
- side to side	1.5°
Controls	proportional
Drive	dual front wheel
Multiple disc brakes	dual rear wheel
Tires - solid non-marking	38 x 13 cm

Weight / Floor Loading	
Weight - ANSI, CSA	1,841 kg
Tire load, maximum	767 kg
Tire contact pressure	766 kPa
Occupied floor pressure	11.82 kPa