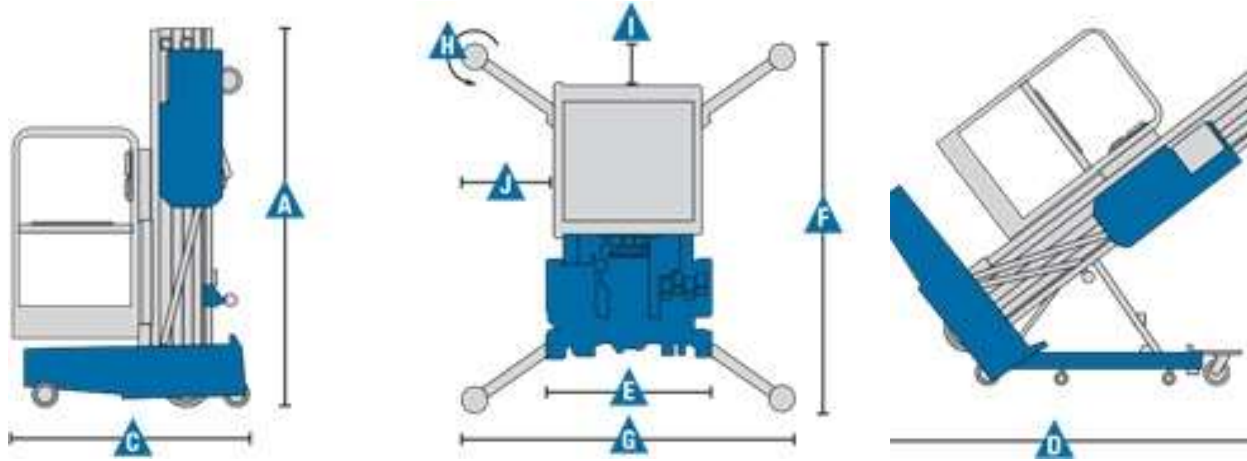


# Aerial Work Platforms

## AWP® Super Series™ AWP-30S



Brand	Genie
Model	AWP-30S
Working height	11.00 m
Platform height	9.00 m
A   Height - stowed (Standard)	1.98 m
stowed (RT/Narrow)	2.01 m
B   tilted back (Standard)	-
C   Length - stowed (Standard)	1.35 m
stowed (RT/ Narrow)	1.60 m
D   Length - tilted back	-
E   Width (Standard)	0.74 m
Width (RT)	0.76 m
Width (Narrow)	0.56 m

Power	
Power source	12V DC 110/50-60 Hz or 220/50-60 Hz AC

Productivity	
Lift capacity	159 kg
ANSI/CSA:	
F G   Outrigger footprint (l/w) (Standard)	1.75/1.55 m
Outrigger footprint (l/w) (RT/Narrow)	1.83/1.52 m
H   Corner access*** (Standard)	0.48 m
Corner access*** (RT/Narrow)	0.46 m
I J   Wall access front/side (Standard)	0.13/0.43 m
Wall access front/side (RT/Narrow)	0.18/0.43 m
Platform Dimensions: (l/w/h)	
Standard	0.69/0.66/1.4 m
Gated standard	0.69/0.66/1.4 m
Gated narrow	0.66/.51/1.14 m
Gated ultra-narrow	0.56/.46/1.14 m
Standard fiberglass	0.74/.67/1.10 m

Weight	
AC models (Standard)	352 kg
AC models (RT/Narrow)	330 kg
DC models (Standard)	393 kg
DC models (RT/Narrow)	370 kg
Air motor (Standard)	352 kg
Air motor (RT/Narrow)	331 kg