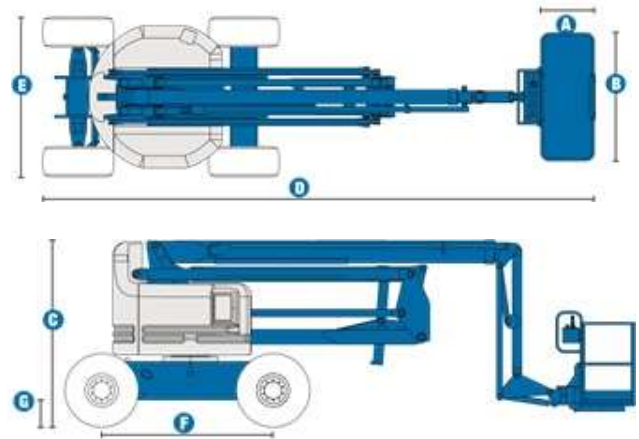
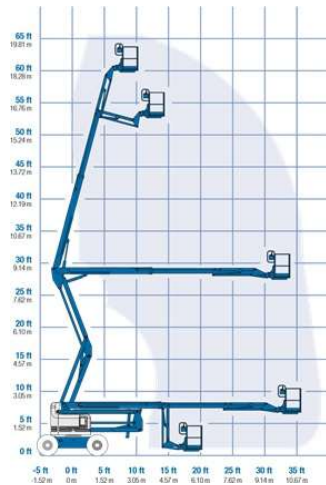


# Self-Propelled Articulating Booms

## Z™ -60/34



Brand Model	Genie Z-60/34	
Working height maximum	20.39 m	
Platform height maximum	18.39 m	
Horizontal reach maximum	11.05 m	
Up and over clearance maximum	8.23 m	
A   Platform length - 8 ft / 6 ft model	0.91 m	0.76 m
B   Platform width - 8 ft / 6 ft model	2.44 m	1.83 m
C   Height – stowed	2.69 m	
D   Length - stowed	8.15 m	
E   Width	2.46 m	
F   Wheelbase	2.51 m	
G   Ground clearance - center	.41 m	
Weight	10,215 kg	

Productivity		
Lift capacity	227 kg	
Platform rotation	180°	
Vertical jib rotation	90°	
Turntable rotation	360° continuous	
Turntable tailswing	zero	
Drive speed - stowed	4.8 km/h	
Drive speed - raised	1.1 km/h	
Gradeability – 2WD/4WD - stowed	25%	40%
Turning radius - inside	3.04 m	
Turning radius - outside	6.07 m	
Controls	12V DC proportional	
Tires	385/65 D19.5, 12 ply	

Power	
Power Source	Ford DSG-423 4-cylinder gas/LPG 75 hp (56 kW)
	Deutz D2011L03i 3-cylinder diesel 48 hp (35.8 kW)
	Perkins 404D-22 4-cylinder diesel 51 hp (38.0 kW)
Auxiliary Power Unit	12V DC
Hydraulic Tank Capacity	170.3 L
Fuel tank capacity	75.7 L