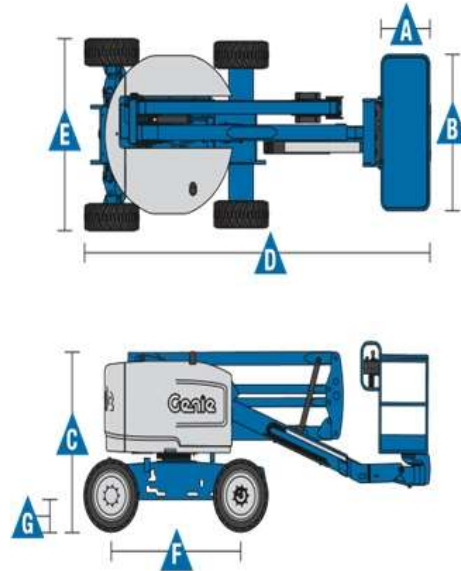
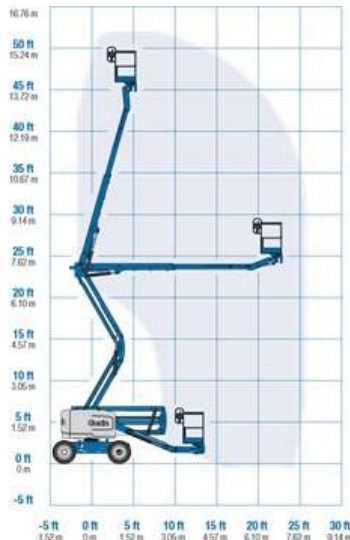


Self-Propelled Articulating Booms

Z™ -45/25RT



Brand Model	Genie Z-45/25RT
Working height maximum	15.97 m
Platform height maximum	13.97 m
Horizontal reach maximum	7.49 m
Up and over clearance maximum	7.14 m
A Platform length	0.76 m
B Platform width	1.83 m
C Height – stowed	2.13 m
D Length - stowed	5.38 m
E Width	2.29 m
F Wheelbase	2.03 m
G Ground clearance - center	0.37 m
Weight 2WD/ 4WD	5,942 kg 6,078 kg

Productivity	
Lift capacity	227 kg
Platform rotation	180°
Vertical jib rotation	-
Turntable rotation	355° non-continuous
Turntable tailswing	zero
Drive speed - stowed	7.24 km/h
Drive speed - raised	1.0 km/h
Gradeability – 2WD/4WD - stowed	30% 45%
Turning radius - inside	1.68 m
Turning radius - outside	4.5 m
Controls	12V DC proportional
Tires - air filled	315/55 D20

Power	
Power Source	60 hp (55.9 kW) Ford MSG425 Dual Fuel 49 hp (35.8 kW) Deutz D2.9L4 diesel T4f 48 hp (35.8 kW) Perkins AB&T 404D-22 diesel T4f
Auxiliary Power Unit	12 V DC
Hydraulic Tank Capacity	83 L
Fuel tank capacity	64.4 L