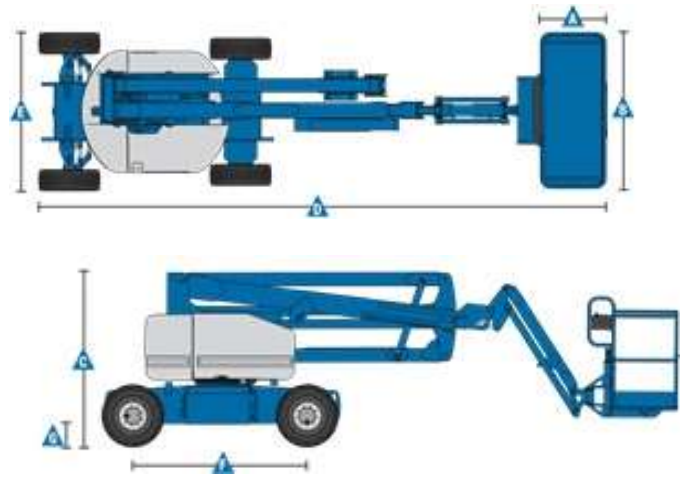
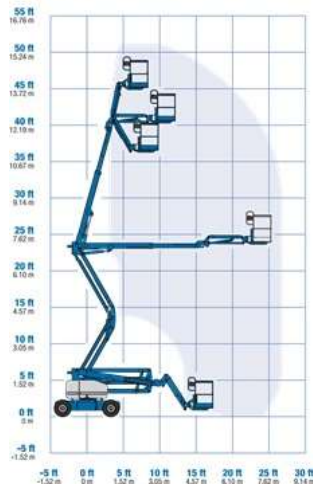


# Self-Propelled Articulating Booms

## Z™-45/25J DC

Range Of Motion Z-45/25J



Brand Model	Genie Z-45/25J DC
Working height maximum	15.94 m
Platform height maximum	13.94 m
Horizontal reach maximum	7.65 m
Up and over clearance maximum	7.24 m
A  Platform length	0.76 m
B  Platform width	1.83 m
C  Height – stowed	2.00 m
D  Length - stowed	6.83 m
E  Width	1.79 m
F  Wheelbase	2.03 m
G  Ground clearance - center	0.24 m
Weight	7,394 kg

Productivity	
Lift capacity	227 kg
Platform rotation	160°
Vertical jib rotation	135°
Turntable rotation	355° non-continuous
Turntable tailswing	zero
Drive speed - stowed	4.8 km/h
Drive speed - raised	1.0 km/h
Gradeability - stowed	30%
Turning radius - inside	1.8 m
Turning radius - outside	4.27 m
Controls	24V DC proportional
Tires - air filled	9 x 14.5 in

Power	
Power Source	48V DC (eight 6 V batteries, 350 Ah capacity)
Auxiliary Power Unit	24V DC
Hydraulic Tank Capacity	30.3 L