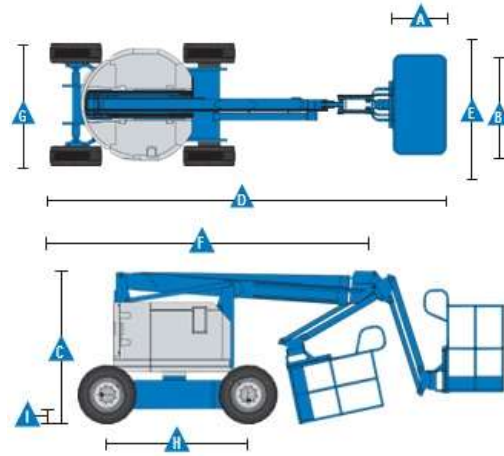
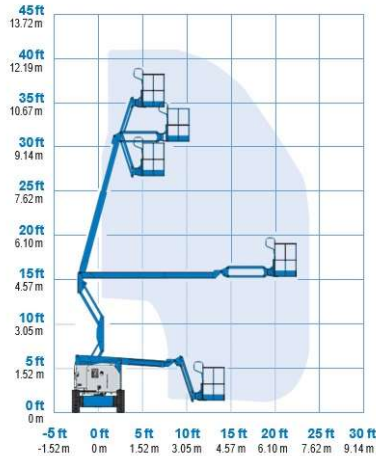


Self-Propelled Articulating Booms

Z™ -34/22 DC

Range Of Motion Z-34/22 DC/Bi



Brand Model	Genie Z-34/22 DC
Working height maximum	12.52 m
Platform height maximum	10.52 m
Horizontal reach maximum	6.78 m
Up and over clearance maximum	4.57 m
A Platform length	0.76 m
B Platform width	1.42 m
C Height – stowed	2.00 m
D Length - stowed	5.64 m
E Storage height	2.26 m
F Storage length	4.08 m
G Width	1.73 m
H Wheelbase	1.88 m
I Ground clearance - center	0.15 m
Weight	4,990 kg

Productivity	
Lift capacity	227 kg
Platform rotation	180°
Vertical jib rotation	139°
Turntable rotation	355° non-continuous
Turntable tailswing	zero
Drive speed - stowed	6.4 km/h
Drive speed - raised	1.1 km/h
Gradeability - stowed	30%
Turning radius - inside	1.75 m
Turning radius - outside	4 m
Controls	24V DC proportional / 2 speed
Tires - air filled	9 x 14.5 in

Power	
Power Source	48V DC (eight 6 V batteries, 315 Ah capacity)
Auxiliary Power Unit	24V DC
Hydraulic Tank Capacity	15.14 L