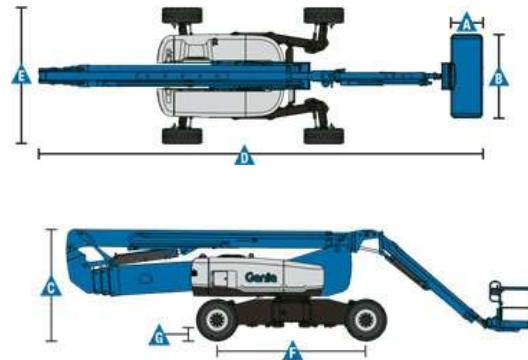
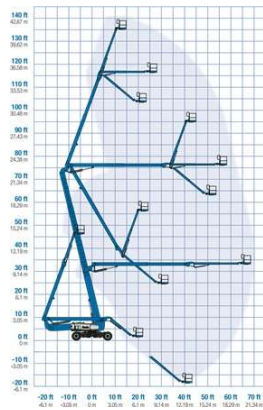


Self-Propelled Articulating Booms

Z™ -135/70



Brand Model	Genie Z-135/70	
	Working height maximum	43.15 m
Platform height maximum	41.15 m	
Horizontal reach max - riser extended	18.03 m	
Horizontal reach max - riser retracted	21.26 m	
Up and over clearance maximum riser extended/ retracted	23.01 m	9.91 m
Below ground reach	5.87 m	
A Platform length	0.91 m	
B Platform width	2.44 m	
C Height - stowed	3.07 m	
D Length - stowed	12.93 m	
E Width - axles extended/ retracted	3.94 m	2.49 m
F Wheelbase - axles extended	4.11 m	
F Wheelbase - axles retracted	4.72 m	
G Ground clearance - center	0.51 m	
Weight	20,366 kg	

Productivity	
Lift capacity	272 kg
Platform rotation	160°
Turntable rotation	360° continuous
Turntable tail swing - riser down	4.27 m
- axles extended riser up	0.79 m
Drive speed - stowed	4.8 km/h
Drive speed - raised	1.1 km/h
Lift speed to full height	96 sec
Gradeability - stowed	45%
Inside turning radius - axles extended	2.29 m
Inside turning radius - axles retracted	5.51 m
Outside turning radius - axles extended	5.64 m
Outside turning radius - axles retracted	7.77 m
Controls	12 V DC proportional
Tires	445/65 D22.5

Power	
Power Source	Deutz Diesel TD 2011 L04i 4-cylinder turbo diesel, 55 kW (74 hp)
Auxiliary power unit	12 V DC
Hydraulic tank capacity	246.1 L
Fuel tank capacity	151.4 L