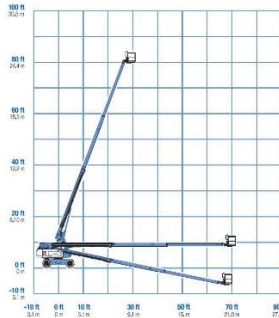


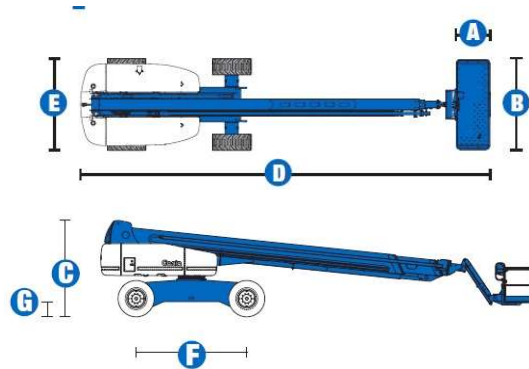
Self-Propelled Articulating Booms

S™-80

RANGE OF MOTION S™-80



RANGE OF MOTION S™-85



Brand Model	Genie S-80	
Working height maximum	26.20 m	
Platform height maximum	24.40 m	
Horizontal reach maximum	21.80 m	
Below ground reach	1.85 m	
A Platform length - 8 ft / 6 ft model	0.91 m	0.76 m
B Platform width - 8 ft / 6 ft model	2.44 m	1.83 m
C Height - stowed	2.80 m	
D Length - stowed	11.10 m	
Length - transport (jib tucked under)	-	
E Width	2.50 m	
F Wheelbase	2.80 m	
G Ground clearance - center	.33 m	
Weight 2WD	17,191 kg	
Weight 4WD	17,236 kg	

Productivity	
Lift capacity	227 kg
Platform rotation	160°
Turntable rotation	360° continuous
Vertical jib rotation	-
Turntable tailswing	1.42 m
Drive speed - stowed - 2WD/4WD	5.6 km/h
Drive speed - raised/extended	1.1 km/h
Gradeability - 2WD - stowed	30%
Gradeability - 4WD - stowed	45%
Turning radius - axle extended: inside	40%
Turning radius - axle extended: outside	4.01 m
Controls	12V DC proportional
Tires - RT lug	Foam filled 18-625, 16 ply

Power		
Power Source	Perkins 804D-33 4 cylinder diesel 63 hp (47 kW)	Continental TME27 4 cylinder Gasoline/LPG 74 hp (55 kW)
	Deutz TD2011 L04i 4 cylinder turbocharged diesel 74 hp (55 kW)	
Auxiliary power unit	12 V DC	
Hydraulic tank capacity	150 L	
Fuel tank capacity - diesel/ gas/LPG	Diesel 132 L	Gas/LPG 113.6 L