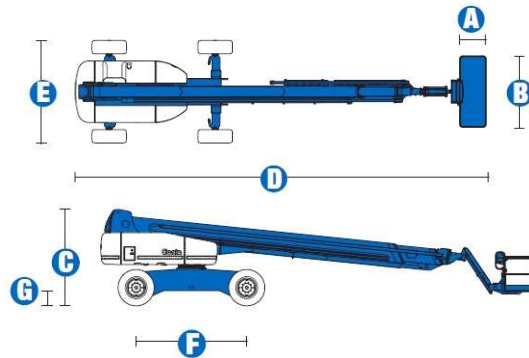
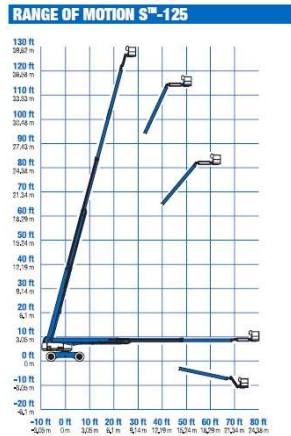


Self-Propelled Articulating Booms

S™ -125



Brand Model	Genie S-125	
Working height maximum	40.15 m	
Platform height maximum	38.15 m	
Horizontal reach maximum	24.38 m	
Below ground reach	3.27 m	
A Platform length - 8 ft / 6 ft model	0.91 m	0.76 m
B Platform width - 8 ft / 6 ft model	2.44 m	1.83 m
C Height - stowed	3.07 m	
D Length - stowed	14.25 m	
Length - transport (jib tucked under)	12.17 m	
E Width - axles retracted	2.49 m	
F Width - axles extended	3.35 m	
G Ground clearance - center	.44 m	
Weight	20,248 kg	

Productivity	
Lift capacity	227 kg
Platform rotation	160°
Turntable rotation	360° continuous
Vertical jib rotation	135°
Turntable tailswing - axle retracted	1.68 m
Turntable tailswing - axle extended	1.24 m
Drive speed - stowed	4.8 km/h
Drive speed - raised/extended below 80 ft	1.1 km/h
Drive speed - raised/extended above 80 ft	0.55 km/h
Gradeability - stowed	40%
Turning radius - axle retracted: inside	4.01 m
Turning radius - axle retracted: outside	6.75 m
Turning radius - axle extended: inside	2.59 m
Turning radius - axle extended: outside	5.74 m
Controls	12 V DC proportional
Tires - RT lug	445/65 D22.5

Power		
Power Source	Perkins 1104C-44 4cylinder diesel 83 hp (62 kW)	Cummins B4.5 C80 4cylinder diesel 80 hp (60kW)
	Deutz BF4L 2011 4cylinder turbo diesel 78 hp (58 kW)	
Auxiliary power unit	12 V DC	
Hydraulic tank capacity	208 L	
Fuel tank capacity	151 L	