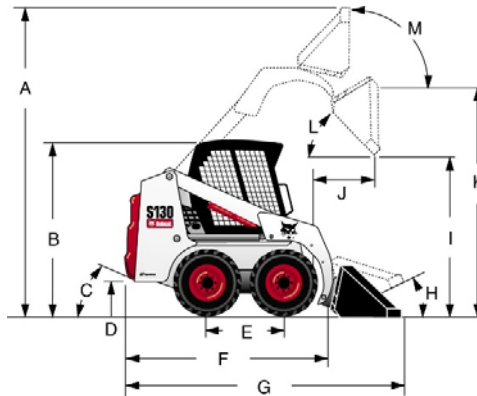


LOADER

S130



BRAND	BOBCAT
MODEL	S130

PERFORMANCE	
Rated Operating Capacity (SAE J732)	590 kg
Rated Operating Capacity with Counterweight option	635 kg
Tipping Load (SAE)	1,195 kg
Operating Weight (SAE)	2,375 kg
Travel Speed	11.8 km/hr
Lift Breakout Force (SAE)	1,270 kg
Tilt Breakout Force (SAE)	1,361 kg
Push Force	1,542 kg

DIMENSIONS	
A) Operating Height	3,812 mm
B) Height with Operator Cab	1,963 mm
C) Angle of Departure	23°
D) Ground Clearance	188 mm
E) Wheelbase	900 mm
F) Length without Attachment	2,432 mm
G) Length with Standard Bucket	3,152 mm
H) Rollback @ Carry Position	25°
I) Dump Height with Standard Bucket	2,101 mm
J) Dump Reach @ Maximum Height	575 mm
K) Height to Bucket Hinge Pin	2,781 mm
L) Dump Angle @ Maximum Height	40°
M) Rollback Fully Raised Maximum Height Carry Position	96°
	231 mm

ENGINE	
Make/Model	Kubota/V2403-MDI-E3
Fuel/Cooling	Diesel/Liquid
Horsepower	49 HP (36 kW)
Maximum Governed	2,700 RPM
Torque @ 1650 RPM	109.6 ft. -lbs.
Number of Cylinders	4
Displacement	148.5 cu. in. (2,4 L)
Bore/Stroke	87 mm/102 mm
Fuel Consumption	1.8 gph (6,8L/h)
Lubrication	Gear Pump Pressure System with Filter
Fuel Injection System	Direct
Crankcase Ventilation	Closed, breathing
Air Cleaner	Replaceable dry paper cartridge with separate safety element
Ignition	Compression (Diesel)
Engine Coolant	Propylene glycol/water mix (53%-47%) with freeze protection to -34°F (-37°C)
Starting Aid	Glow plugs
Alternator	90 amps; ventilated
Battery	12 volt; 600 cold cranking amps @ 0°F (-18°C); 115 minute reserve capacity @ 25 amps
Starter	12 volt; gear reduction type; 4.02 HP (3,0 kW)