

Compact Excavator TB210R

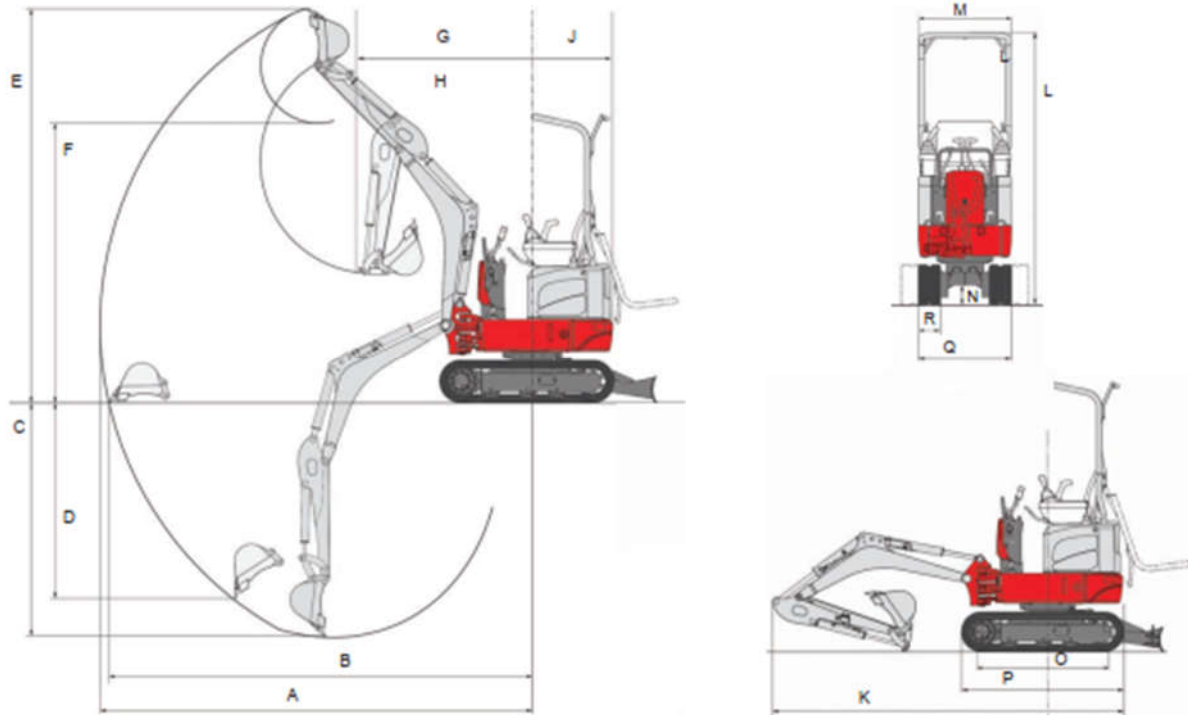


Brand Model	Takeuchi TB210R
OPERATING PERFORMANCE	
Operating Weight - Cab	1,150 kg
Bucket Capacity (Heaped)	0.022 m ³
Slew Speed	0.0 min-1
Travel Speed 1st / 2nd	2.0 km/h 3.7 km/h
Gradeability	15°
Ground Pressure	28.0 kPa
Maximum Bucket Breakout Force	11.2 kN
Maximum Arm Digging Force	6.4 kN
Traction Force	12.8 kN
Boom Swing Angle (Left/Right)	85° / 85°

ENGINE	
Model	Kubota / D722-E4B
Rated Output (ISO 14396)	8.8 kW/2,200 min-1
Maximum Torque	36.0 Nm/1,900 min-1
Displacement	719 ml
Alternator	12V - 0.48 kW
Battery (IEC 60095-1)	12V - 36 A h
FLUID CAPACITIES	
Engine Lubrication	2.8 L
Cooling System	4.0 L
Fuel Tank Capacity	12.0 L
Hydraulic Reservoir Capacity	9.0 L
Hydraulic System Capacity	15.0 L

SAFETY and HEALTH			
Vibration Levels		Noise Level	
Hand / Arm (ISO5349)	< 2.5 m/s ²	Sound Power Level (ISO 6395)	LwA 91 dB
Body (ISO2631-1)	< 0.5 m/s ²		

HYDRAULIC SYSTEM						
P1, P2	Flow Rate	Gear Pump	11.1 L/min	Service Port 1	Flow Rate	22.0 L/min
	Relief Pressure		18.2 MPa		Hydraulic Pressure	18.2 MPa
P3	Flow Rate		5.8 L/min			
	Relief Pressure		3.4 MPa			



MACHINE DIMENSIONS		880 mm Arm
A	Maximum Reach	3,285 mm
B	Maximum Reach at Ground Level	3,220 mm
C	Maximum Digging Depth	1,755 mm
D	Maximum Vertical Digging Depth	1,475 mm
E	Maximum Height of Cutting Edge	2,985 mm
F	Maximum Dumping Height	2,120 mm
G	Front Swing Radius	1,320 mm
H	Front Swing Radius with Boom Offset	980 mm
J	Slew Radius	610 mm
K	Overall Length	2,955 mm
K'	Overall Length (canopy folded)	3,415 mm
L	Overall Height	2,190 mm
L'	Overall Height (canopy folded)	1,475 mm
M	Upper Structure Overall Width	750 mm
N	Ground Clearance	160 mm
O	Crawler Base	1,005 mm
P	Crawler Overall Length	1,325 mm
Q	Crawler Overall Width - Crawler Retracted	750 mm
Q'	Crawler Overall Width - Crawler Extended	1,020 mm
R	Crawler Shoe Width	180 mm